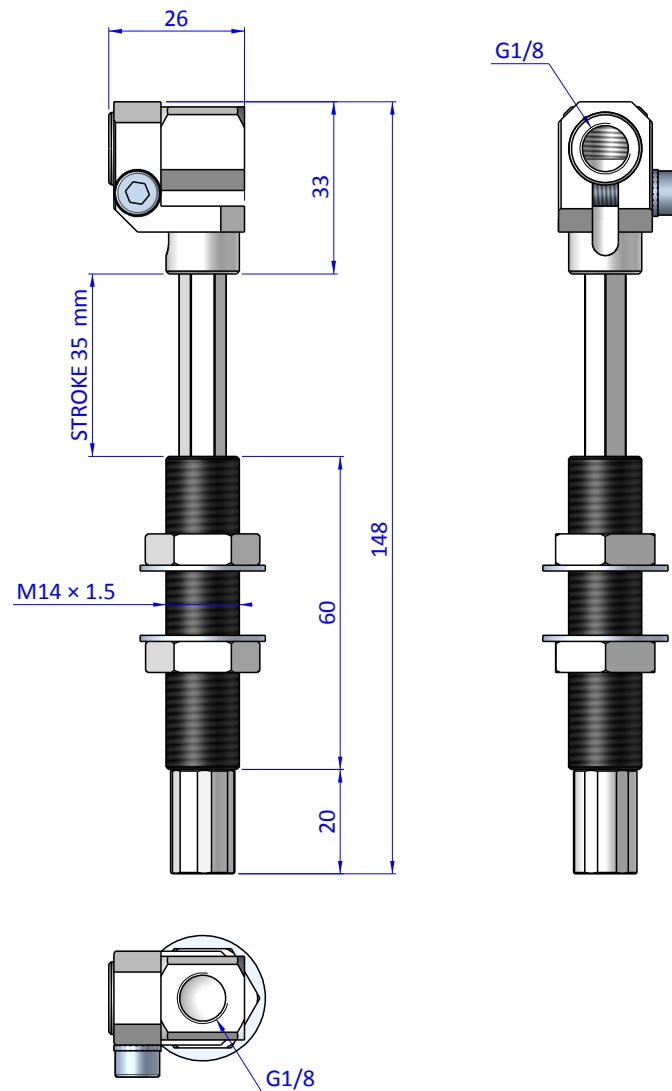
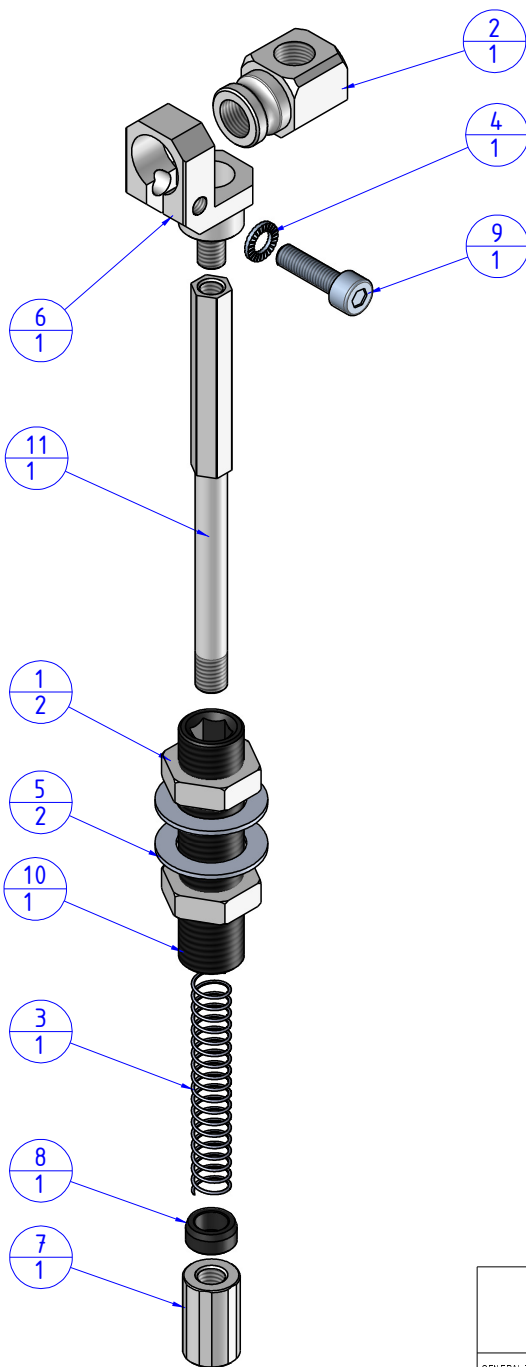


THE PROPERTY OF THE DRAWING IS ESTABLISHED BY LAW. IT IS FORBIDDEN TO PRODUCE OR SHOW IT TO THIRD PARTY, WITHOUT A WRITTEN AGREEMENT.

Object Number	Name	QTY
1	05.01.001.06	2
2	GGB.14.18.18	1
3	M.8.5X48.50.1	1
4	R.5.SCH	1
5	R.14.SCH	2
6	SSN.14201818.1	1
7	VSN.14.1	1
8	VSN.1420.3	1
9	V.TCE5x18	1
10	VSN.1435.2.1	1
11	VSN.1435.4	1



Format A3

UNI 936-76

		DESIGNED FROM	REVIEW
		FP SERVICES	A
GENERAL TOLERANCE	DESCRIPTION	DATE	WEIGHT
UNI - ISO 2768	CA.SSNG.14351818	21/02/2019	0,062kg
CLASSE f		CODE	CA.SSNG.14351818